
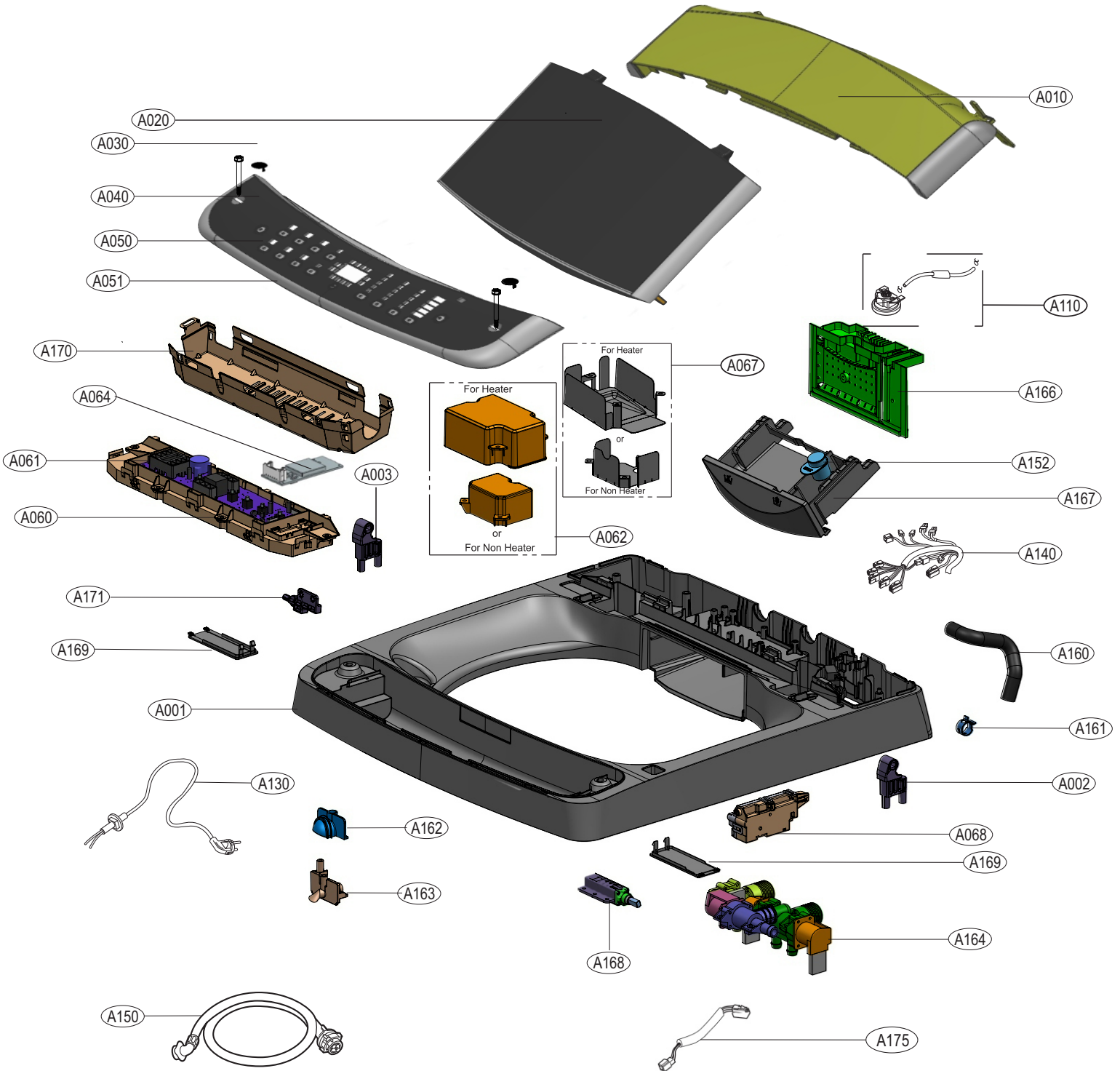



5-1. THE EXPLODED VIEW OF TOP COVER ASSEMBLY

 : Non-Service Part



5-2 THE EXPLODED VIEW OF OUT CASE ASSEMBLY

 : Service Part

